

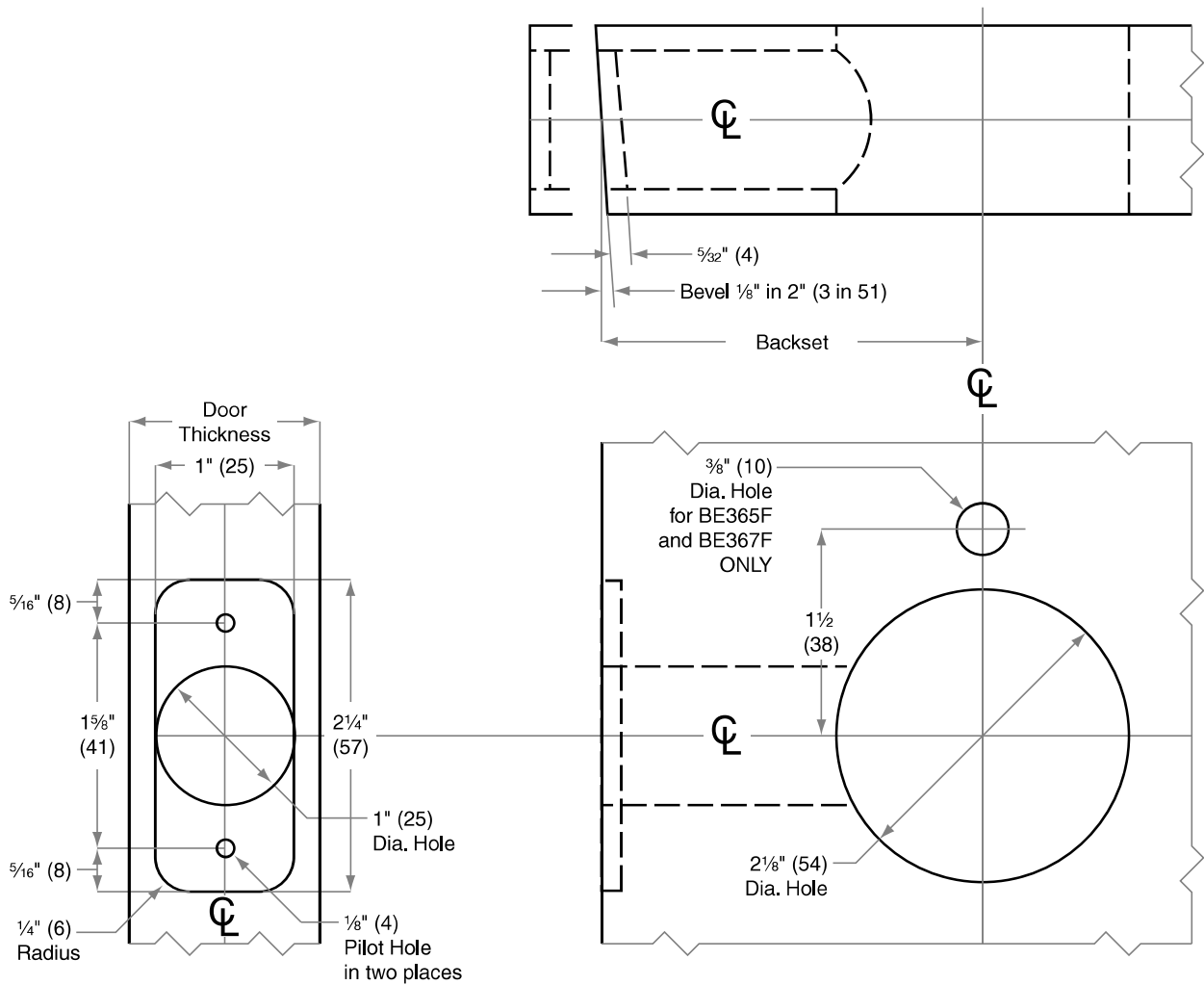


# BE-Series

Models BE365, BE365F, BE367, BE367F, BE369, BE479, BE468, BE469, BE489

- Door Type: Wood or Composite, Flat or Beveled
- Door Thickness:  $1\frac{1}{8}$ " (35 mm)– $1\frac{3}{4}$ " (57 mm)
- Faceplate: Round Corner,  $\frac{1}{4}$ " (6 mm) Radius, 1" (25 mm) wide
- Backsets:  $2\frac{3}{8}$ " (60 mm),  $2\frac{3}{4}$ " (70 mm)

Standard backset in bold.



Dimensions shown in parentheses ( ) are in millimeters.

**DRAWING IS NOT TO SCALE!**

**Customer service: 888-805-9837**

**We can help you find the correct guide for your product and application!**

Door preparation template

# RB103