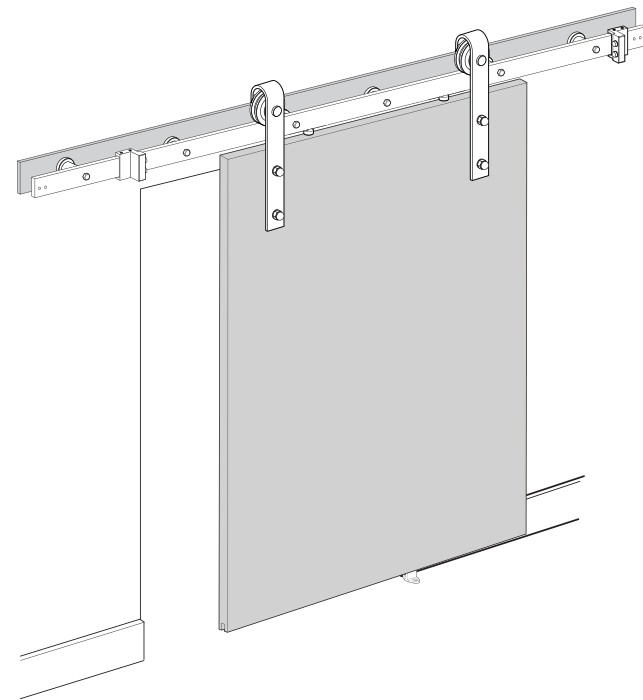


USE AND CARE GUIDE

J STRAP SLIDING DOOR HARDWARE 8' Rail Length



Customer Service

1-888-805-9837 www.schlage.com



© Allegion 2017
111828 Rev. 09/17




Table of Contents

Table of Contents.....	2
Safety Information.....	2
Warranty.....	2
What is Covered.....	2
What is Not Covered.....	2
Pre-Installation.....	3
Planning Installation.....	3
Tools Required.....	3
Hardware Included.....	3
Required Parts (Not Included).....	4
Required Dimensions.....	4
Installation.....	5

Safety Information

Please read and understand all instructions before you complete this installation.

The maximum loading weight for this product is 100 kg (220 lbs).

 **WARNING:** DO NOT install the track directly onto drywall. It is recommended to install a header board above the door opening.

Warranty

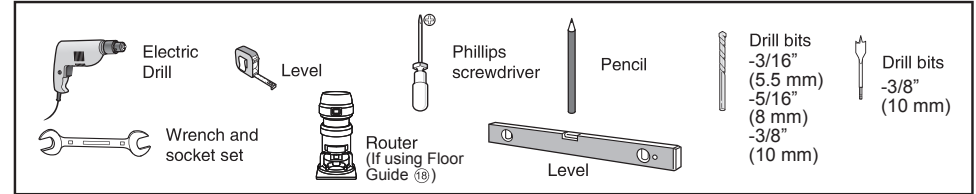
2 YEAR LIMITED WARRANTY

WHAT IS COVERED

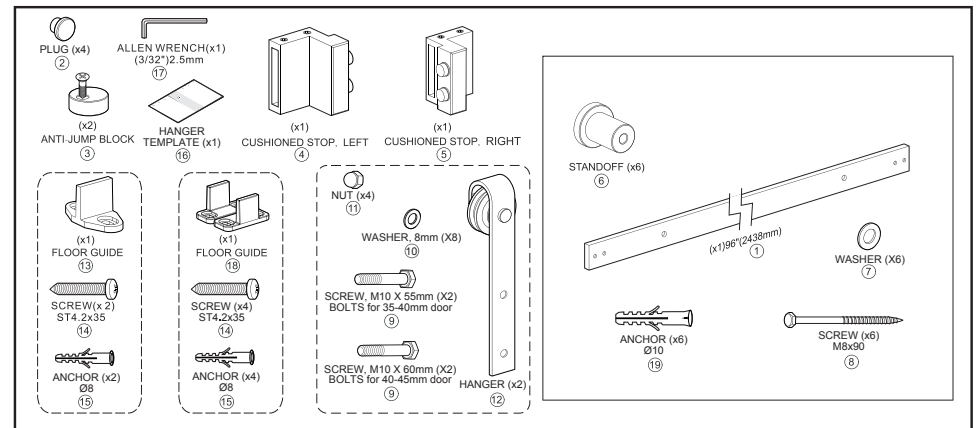
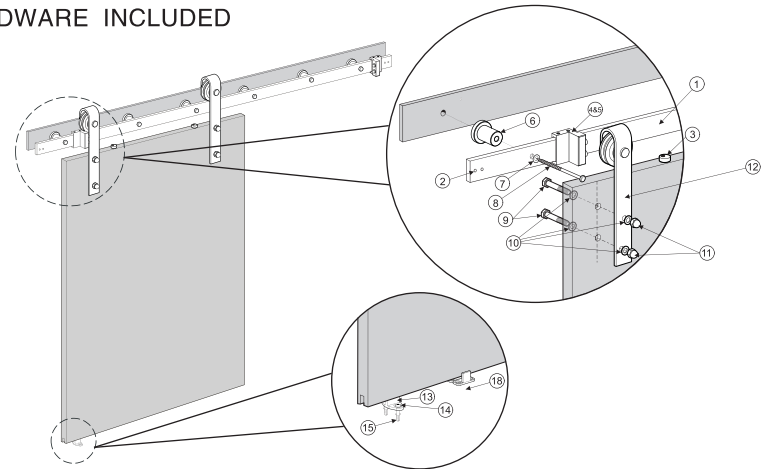
We warrant this product to be free of manufacturing defects to the original purchaser for 2 years.

Pre-installation

TOOLS REQUIRED



HARDWARE INCLUDED

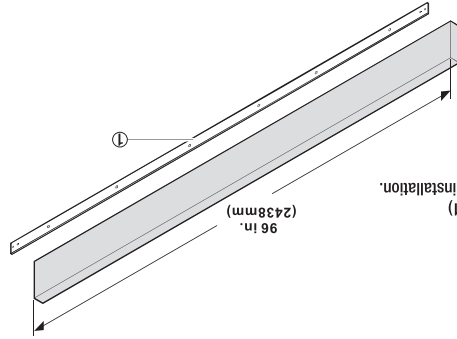


REQUIRED PARTS (NOT INCLUDED)

WARNING: DO NOT install the track directly onto drywall. It is recommended to install a header board above the door opening.

A 1 x 6 wooden header board trimmed to the same length as the track (1) (96 in. (2438 mm)) is required in order to successfully complete this installation. You will also need to supply interior screws to install the board.

For concrete wall, just install track directly to wall using plastic anchors and lag bolts.



REQUIRED DIMENSIONS

NOTE: If the opening width is greater than 1219 mm, or for bi-parting door, connect two tracks with the Track Adaptor. Install one track, connect with adaptor, then install other track.

- Door Width: 50 in. (1270 mm) maximum. Must be 2 in. (51 mm) wider than the opening width of 48 in. (1219 mm).
- Door Height: Must be 2 in. (51 mm) taller than the opening height.
- Door Thickness: 1.4 – 1.7 in. (35 – 44 mm)
- Maximum Loading Weight: 100 kg (220 lbs)

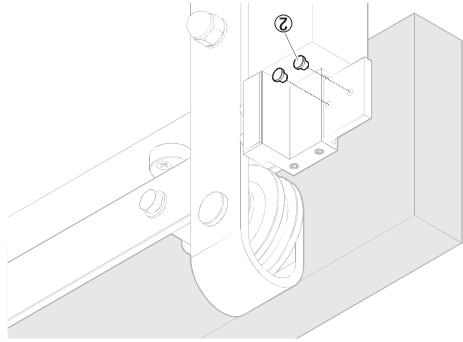
NOTE: A door in the open position will overlap the opening by 1 in. (25 mm).

RECOMMENDATIONS

- Review all instructions before beginning installation.
- Two-person installation.
- Use non-scratch tools on exterior surfaces.

10 Installing the hole caps

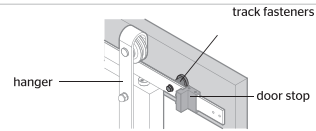
- Install hole caps (2) in the small holes .



Installation (continued)

9

Use the instructions below as a remedy if the Door Stop needs to be installed inside the Track Fastener.



A Remove door from track.

B Remove the set of fasteners that were preventing the door stop from moving into position.

C Slide the door stop onto the track, past the hole where the fasteners were removed.

D Reinstall fasteners, making sure to keep track level.

E Reinstall door. Test to make sure it slides smoothly. Position door so it overlaps the opening by 1" (25 mm).

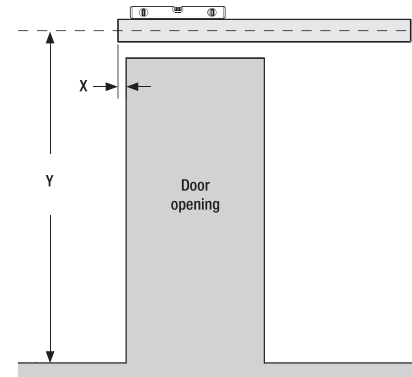
F Slide door stop so it touches the hanger. Tighten the set screws to secure it in place.

8

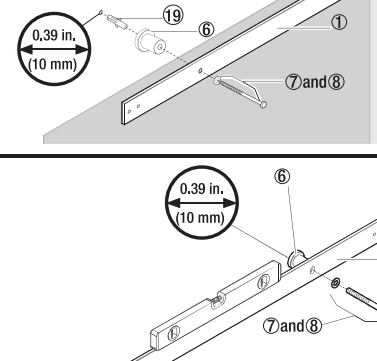
Installation

1 Installing a header board

- Determine the height of your door. Utilize the dimensions in this step to position the header board.
- Position the header board at the desired location and use a level to ensure the board is even. Use interior screws (not included) to secure the header board to wall studs.
- Dimensions:
 - X = 51 mm minimum on one side of the door
 - Y = Door height + 44 mm. This floor clearance allows for a 9.5 mm space between the door and the floor.

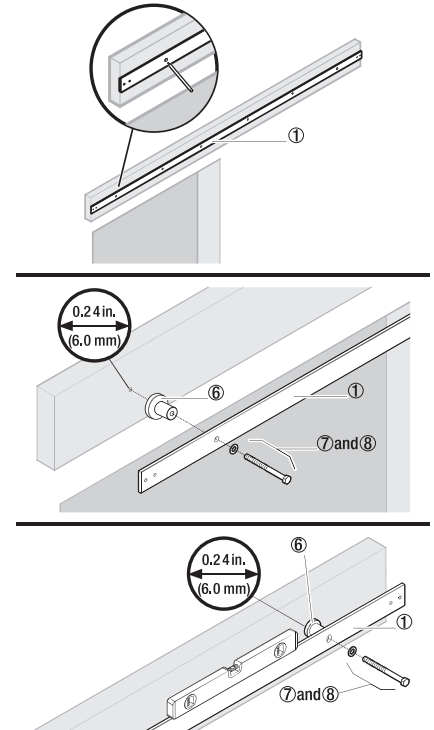


2.1 For concrete wall

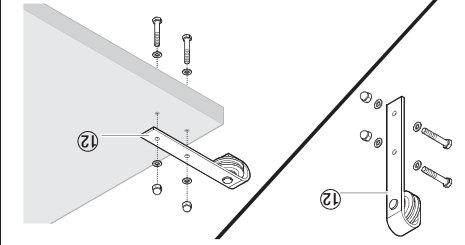


2 Installing the track

- Center the track (1) on the header board and mark the large hole at one end of the track. Ensure you do not mark the smaller holes.
- Drill a hole where marked and secure the side of the track (1) using the fasteners.
- Mark the center of the large hole on the opposite end of the track (1). Use a level to ensure the track is even. Drill a hole and secure the other end of the track using the fasteners.
- Drill into the two center holes in the track and secure the center of the track to the board using track fasteners (7 and 8) and spacers (6).

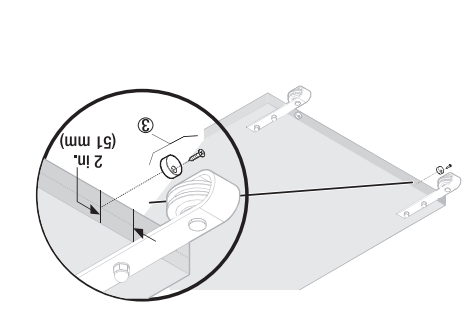


5



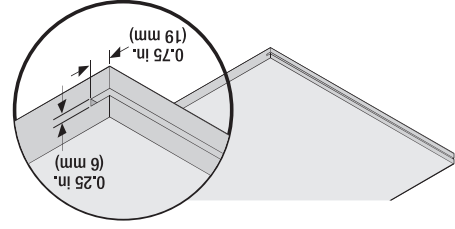
- Measure the thickness of your door to determine the proper screws to use for this step. If the door measures 1.4 - 1.6 in. (35 - 40 mm), use the thick, shorter screws (9). If the door is 1.6 - 1.7 in. (40 - 44 mm), use the larger screws (9).

5 Installing the hangers



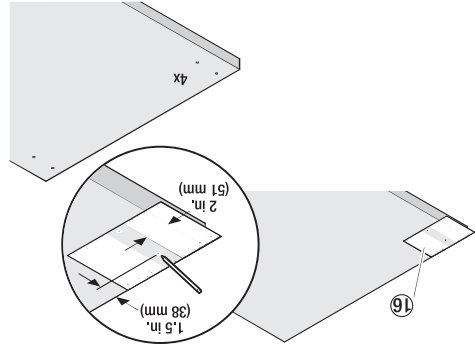
- Center an anti-jump block (3) on the top edge of the door, a minimum of 2 in. (51 mm) away from the inside edge of the hanger. Ensure the hole is closest to the front of the door.
- Repeat for the opposite end of the door.

6 Installing the anti-jump block



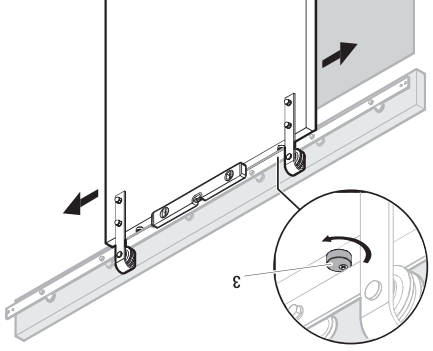
Two floor guide options are included. The single floor guide requires that you mortise a groove in the bottom of the door with a router. Double-floor guide does not require this groove.

3 Preparing the door (single floor guide)



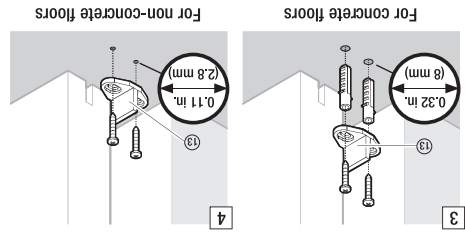
- Position the template (16) on the front of the door and align it with the top edge of the door. Ensure the template (16) is at least 2 in. (51 mm) from and parallel to the door edge. Mark the hole. Repeat on the other end of the door using the ruler on the template to ensure the distance to the door edge is the same. Drill four pilot holes as shown.

4 Preparing the door

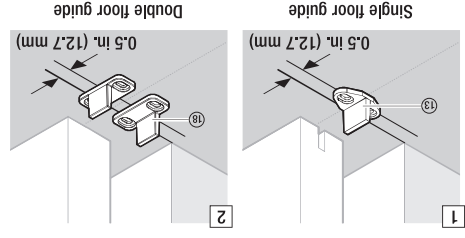


- Rotate the anti-jump discs (3) out of the way when placing the door on the track. Ensure the door is level when installed. Test for smooth operation by sliding the door back and forth. Rotate any anti-jump discs (3) back into place.

7 Placing the door on the track



3



2

- Slide the door as far as possible to the open position without allowing the door fall off the track.
- Measure 0.5 in. (12.7 mm) from the edge of the opening, on the side closest to the open door. Center the floor guides on this line and align with the door.
- Use the floor guide(s) as a guide to drill holes in the floor. Secure the floor guide(s) with fasteners. Use anchors only on a concrete floor.

8 Installing the floor guide(s)