

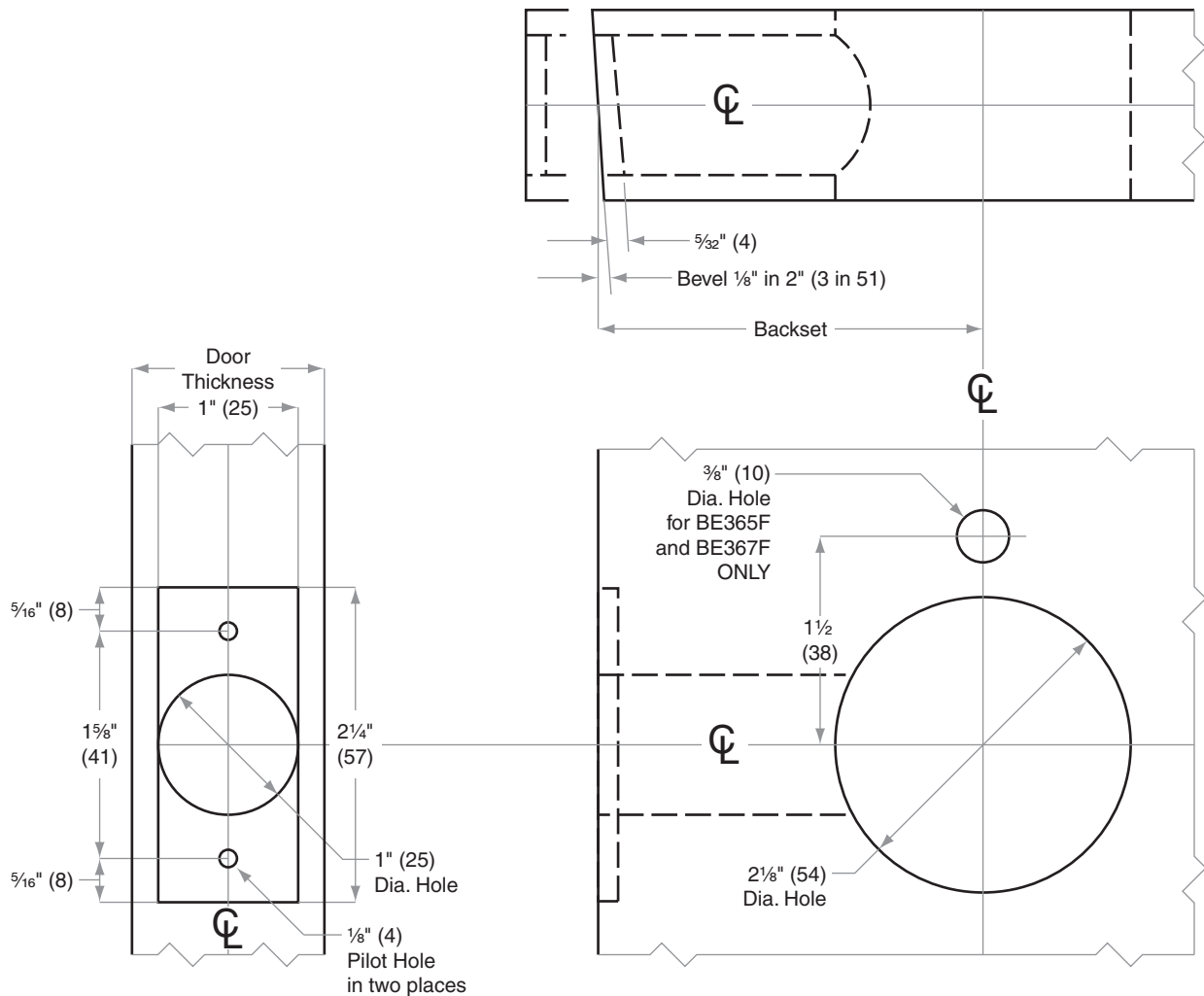


BE-Series

Models BE365, BE365F, BE367, BE367F, BE369, BE469

Door Type: Wood or Composite, Flat or Beveled
 Door Thickness: $1\frac{1}{8}$ " (35 mm)– $1\frac{3}{4}$ " (44 mm)
 Faceplate: Square Corner, 1" (25 mm) wide
 Backsets: $2\frac{3}{8}$ " (60 mm), $2\frac{3}{4}$ " (70 mm)

Standard backset in bold.



Dimensions shown in parentheses () are in millimeters.

DRAWING IS NOT TO SCALE!

Customer service: 888-805-9837

We can help you find the correct guide for your product and application!

Door preparation template

RB100