

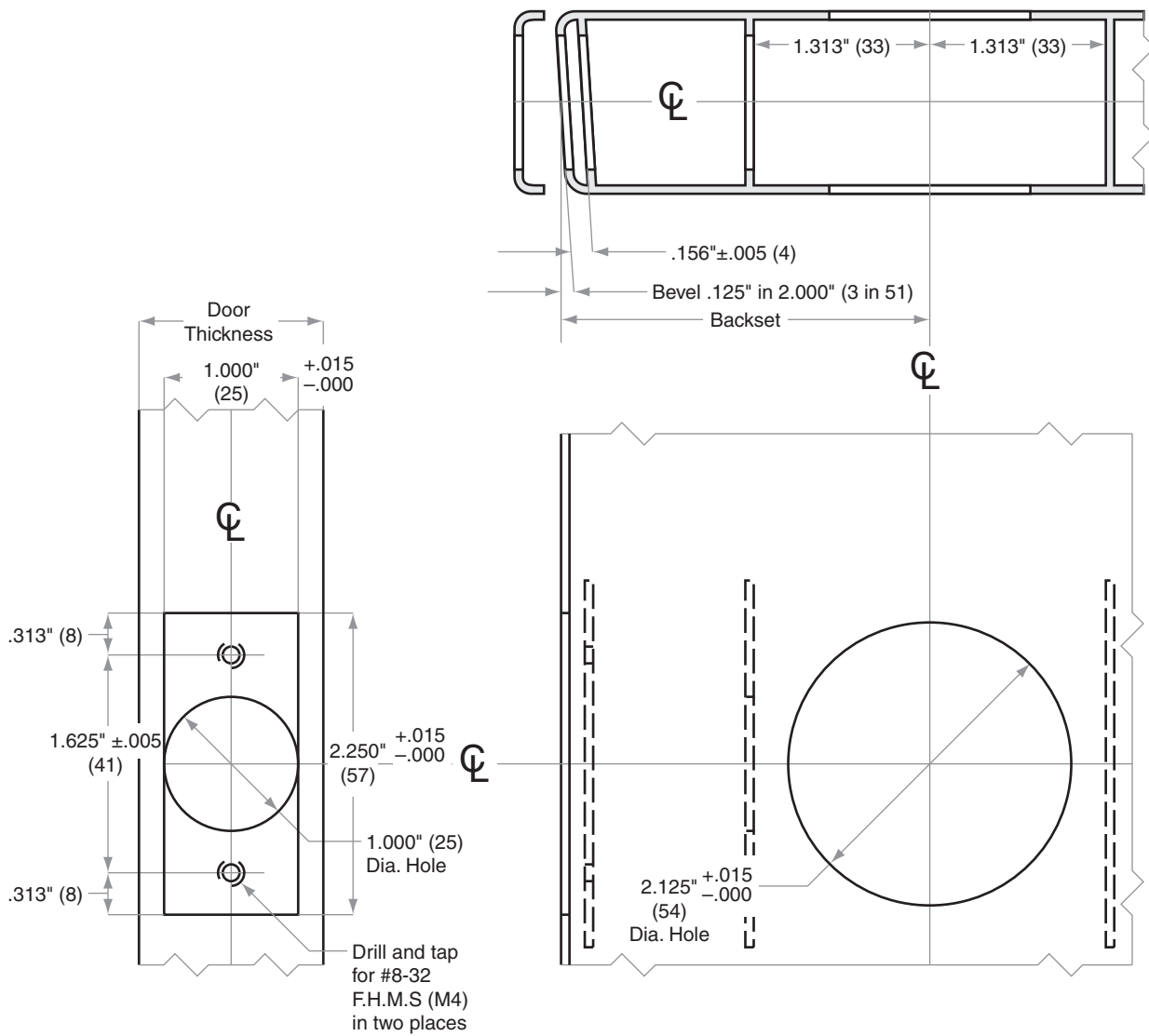


# JD-Series

Models JD60, JD62, JD81

- Door Type: Metal, Flat or Beveled
- Door Thickness:  $1\frac{3}{8}$ " (35 mm)– $1\frac{3}{4}$ " (44 mm)
- Faceplate: Square Corner, 1" (25 mm) wide
- Backsets:  $2\frac{3}{8}$ " (60 mm),  $2\frac{3}{4}$ " (70 mm)

**For metal door installations, suitable reinforcement is required to support latch in center of door and to prevent lateral movement**



Dimensions shown in parentheses ( ) are in millimeters. Template is not to scale. Standard backset in bold.

Door preparation template